



Indexing elements 8

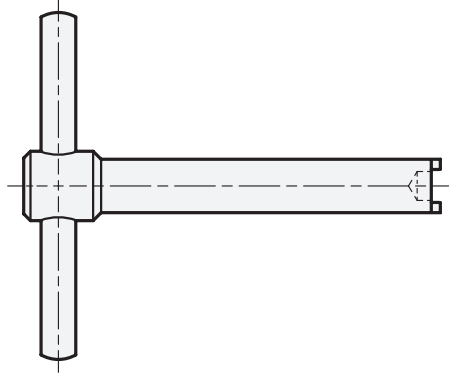
Mounting Tools for Spring Plungers GN 616.2, Steel

SPECIFICATION

Steel

INFORMATION

Mounting tools GN 611.2 are used in the installation of spring plungers GN 616.2 (see page).



GN 611.2

Description	d ₁ Thread Ø of GN 616.2	ΔL
GN 611.2-M4	M 4	20
GN 611.2-M5	M 5	24
GN 611.2-M6	M 6	30
GN 611.2-M8	M 8	48
GN 611.2-M10	M10	72
GN 611.2-M12	M 12	127